



EXPLODED VIEW PARTS LIST

**B1K77
BENJAMIN LEGACY 1000
SPRING AIR RIFLE
.177 (4.5mm) cal.**

CROSMAN CORPORATION
RT 5 & 20
EAST BLOOMFIELD, NY 14443

Phone: 1-800-724-7486
Parts Order Fax: 585-657-5405

B-B1K77-CP

B1K77 BENJAMIN LEGACY 1000

PART NUMBER	DESCRIPTION (ENGLISH)
10410	Knob, Windage
10411	Knob, Elevation
766-126	Nut, Hex 4-40 Mach
781-040	Spring, Compression
85-004	Key, Trigger Block
85-009	Assy, Cap Big
85-501	Instructions, Crosblock
85A001	Crossblock Body
B1K77A515	Owner's Manual
CB9-014	Screw, Butt Plate
CC03	Crosman Consumer Catalog
CRS5177-001	Trigger Pack Housing
CRS5177-002	Barrel
CRS5177-003	Breech
CRS5177-006	Tube, Spring Guide
CRS5177-007	Tube Plug
CRS5177-012	Seal, Piston
CRS5177-014	Pivot Sleeve
CRS5177-015	Screw, Pivot
CRS5177-016	Pin, Plug
CRS5177-017	Spacer, Breech
CRS5177-018	Spring Detent
CRS5177-025	Trigger
CRS5177-027	Stock Lug
CRS5177-028	Cover, Tube
CRS5177-030	Assembly, Piston
CRS5177-032	Trigger Guard
CRS5177-033	Pin, Detent
CRS5177-034	Detent
CRS5177-035	Pin, Safety
CRS5177-038	Pin, Trigger
CRS5177-040	Screw, Set
CRS5177-042	Lever
CRS5177-043	E-Ring
CRS5177-044	Screw, Trigger Adjust
CRS5177-046	Spring, Trigger
CRS5177-051	Base, Rear Sight
CRS5177-052	Rear Sight Bracket
CRS5177-053	Rear Sight Blade
CRS5177-056	Lever, Beartrap
CRS5177-057	Spring, Beartrap
CRS5177-058	Rear Sight Tube
CRS5177-060	Front Sight Assy.
CRS5177-061	Pin, Knurled
CRS5177-065	Recoil Pad Assembly
CRS5177-067	Screw, Trigger Guard
CRS5177-068	Plug, Recoil Pad
CRS5177-070	Spacer, Sear
CRS5177A011	Spring, Main
CRS5177A013	O-Ring
CRS5177A021	Assy, Compression Tube
CRS5177A022	Primary Sear
CRS5177A023	Secondary Sear
CRS5177A024	Safety
CRS5177A036	Stock
CRS5177A066	Screw, Stock

CRS5177A069
CRS5177B010
CRS5177C047
JTX-073

Stock Brace
Spring Guide
Spring, Safety
Screw, Sight

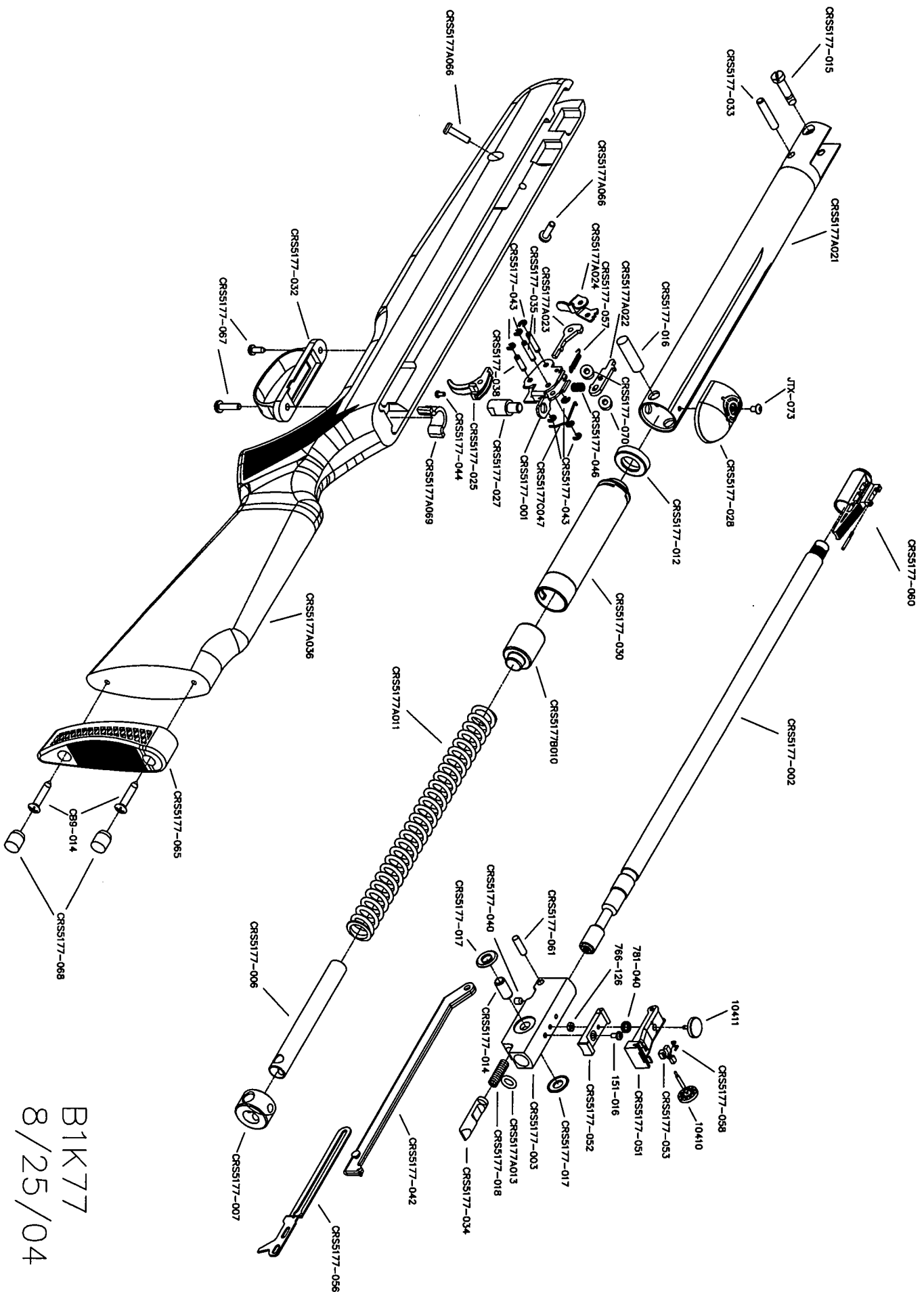
THIS PARTS LIST IS INTENDED TO BE AN INFORMATIONAL
GUIDE IN ORDERING PARTS. IT IS NOT INSTRUCTIONAL MATERIAL
AN WE THEREFORE ASSUME NO RESPONSIBILITY FOR THOSE WHO USE
SAME WITHOUT PROPER FACTORY TRAINING.

PLEASE ORDER BY PART NUMBER AND DESCRIPTION

CHECK OR MONEY ORDER FOR THE TOTAL PRICE MUST
ACCOMPANY THE ORDER

UPDATED 8/16/04

FOR CURRENT PRICES CONTACT CROSMAN CORPORATION AT 800-724-7486 OR
VISIT OUR WEBSITE WWW.CROSMAN.COM



B1K77
 8/25/04